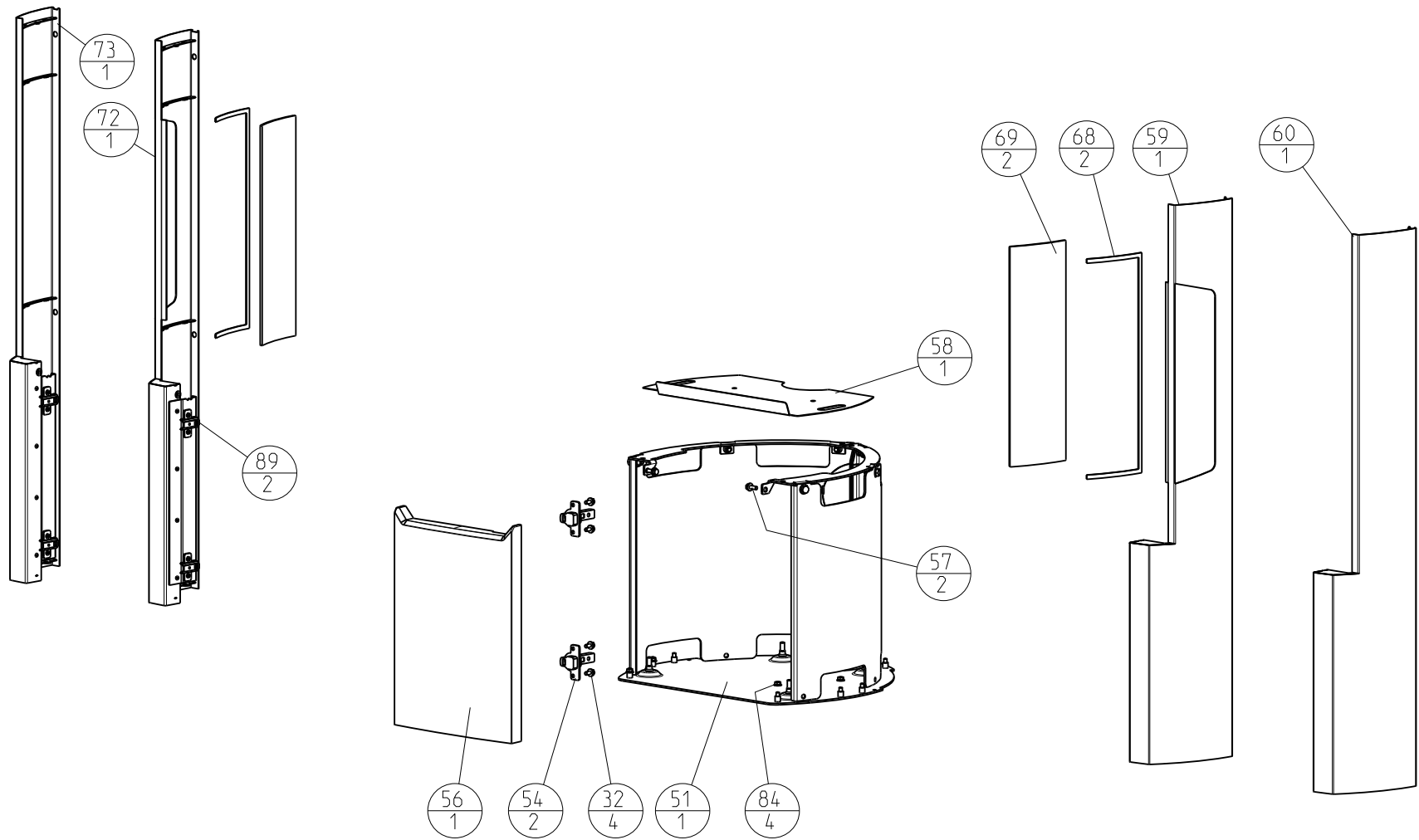


Exploded view, Jøtul F 260

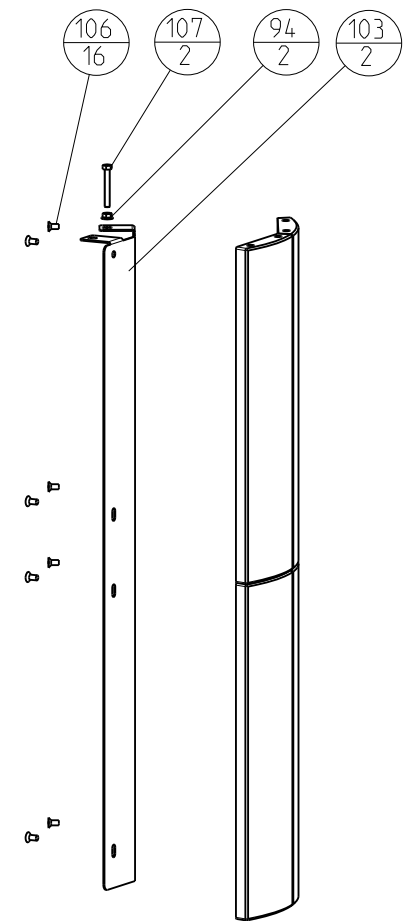
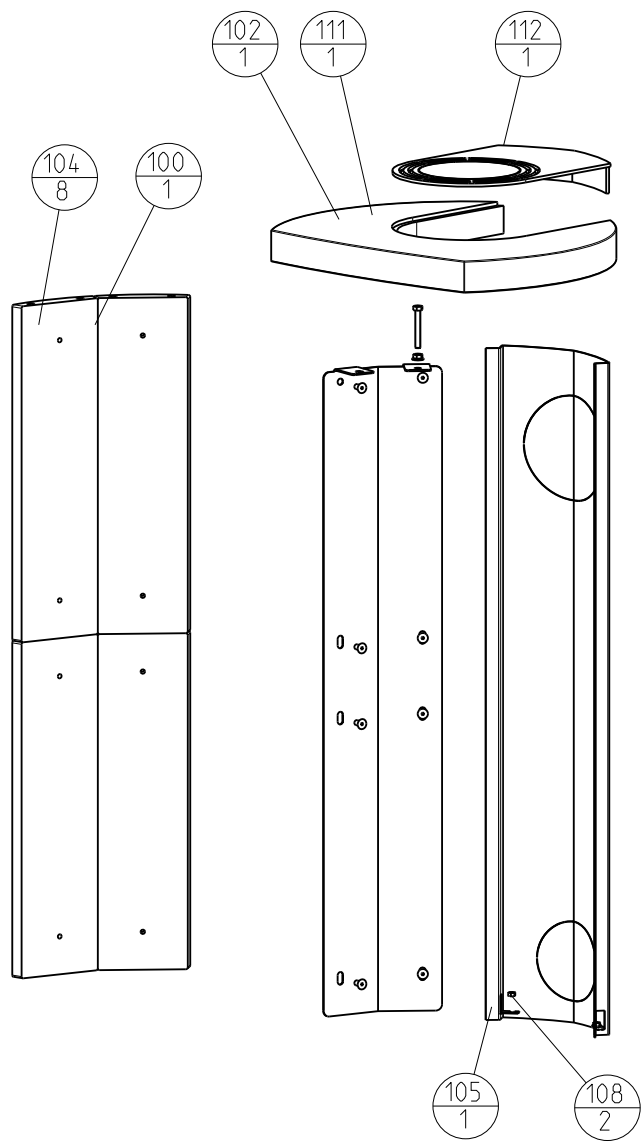
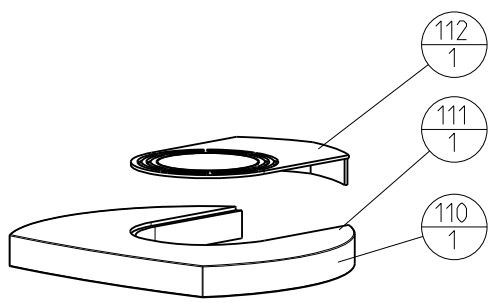
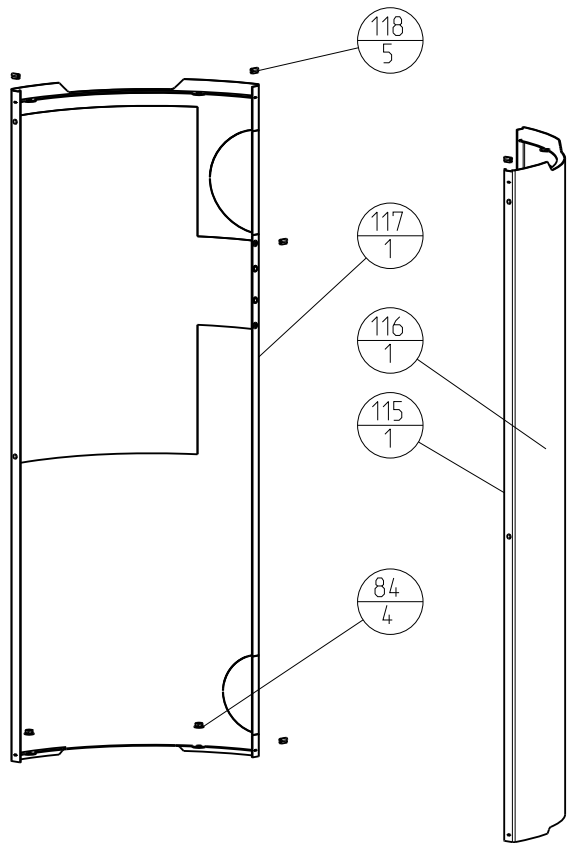


Exploded view, Jøtul F 260

Jøtul AS
Fredrikstad, Norway

Draw.no: Sheet 2/3
900086-P09

Date:
03.11.2022



Exploded view, Jøtul F 260

Jøtul F 260 Serien

Jøtul F 262 BP, cat. no. 30023270, Jøtul F 263 BP m/sideglass, cat. no. 30023271

BP= Sort lakk/Black Paint, GP= Grå lakk/Grey Paint UP= Ulakkert/Unpainted

Benevnelse Description Dim./Spec.

Antall Pos. no. Spareparts Consist of pos.no:

Antall	Pos. no.	Spareparts	Consist of pos.no:	Benevnelse	Description	Dim./Spec.
1	1	12044167		Brennkammer Topp F 260	Burnchamber Top F 260	Cast Iron min 4mm thickness
1	2			Dør F 260	Door F 260	Cast Iron min 4mm thickness
1	3	12036601		Bunnplate	Bottom plate	Cast Iron min 4mm thickness
1	4	12019596		Sidestykke, Høyre	Side plate, Right	Cast Iron min 4mm thickness
1	5	12019598		Sidestykke, Venstre	Side plate, Left	Cast Iron min 4mm thickness
1	6	12019604		Spylebrem	Air deflector	Cast Iron min 4mm thickness
1	7	12019606		Fyrbunn	Bottom plate inner	Cast Iron min 4mm thickness
1	7	12019606	153,154	Fyrbunn komplett MK2	Bottom plate inner complete MK2	Cast Iron min 4mm thickness
1	153	12050010		Fyrbunn F160 MK2	Inner Bottom F160 MK2	Cast Iron min 4mm thickness
1	154	12050011		Fyrbunnrist F160 MK2	Inner Bottom Grate F160 MK2	Cast Iron min 4mm thickness
1	8	12019608		Bakplate	Rear plate	Cast Iron min 4mm thickness
1	9	12019610		Luftkanal bak	Rear Air manifold	Cast Iron min 4mm thickness
1	10	12039588		Konveksjonstopp F 260 BP	Convection top, cast iron F 260BP	Cast Iron min 4mm thickness
1	11	12018891		Luftrist Topp	Air outlet Top	Cast Iron min 4mm thickness
1	12	12018896		Skål Topp	Smoke outlet Bowl	Cast Iron min 4mm thickness
1	13	12019620		Deksel uteluft	Cover outside air	Cast Iron min 4mm thickness
1	14	10036786		Håndtak Dør F260	Handle Door F 260	Cast Iron min 4mm thickness
1	14	12051583		Håndtak Dør F260 BE Okt.2016	Handle Door F 260 BE Oct. 2016	Cast Iron min 4mm thickness
1	15	10036785		Hendel luftventil F260	Handle primary air F260	Cast Iron min 4mm thickness
1	15	12051582		Hendel luftventil F260 BE Okt.2016	Handle primary air F260 BE Oct. 2016	Cast Iron min 4mm thickness
1	16	10036782		Sentrerings brakett	Center Steel Bracket F260	Steel, 1,5mm
1	17	12019112		Hengsel- dørlås oppe	Hinge-lock Door upper	Cast Iron min 4mm thickness
1	18	10023692		Skrue sylinderhode 6K Pass f9 M5x16	Skrue cylhead 6K Pass f9 M5x16	Steel
1	19	12019643		Deksel røkrør F 160	Smoke outlet cover F 160	Cast Iron min 4mm thickness
1	20	12031171		Røkstuss ø150 dripless	Smoke outlet ø150 dripless	Cast Iron min 4mm thickness
1	21	12019639		Ledeplate venstre	Deflector left	Cast Iron min 4mm thickness
1	22	12036688	2,31,32,34,35,61,62	Dør komplett u/glass	Door complete without glass	Cast Iron min 4mm thickness
2	23	10036787		Håndtak Fast F 260	Handle Firm F 260	Cast Iron min 4mm thickness
1	23	12051584		Håndtak Fast F 260 BE Okt.2016	Handle door Firm F 260 BE Oct. 2016	Cast Iron min 4mm thickness
1	24	10036753		Glass Front F260	Glass Front F260	Ceramic glass 4mm
2	25	10026640		Sideglass (se pos. 150 og 151)	Side glass (See pos. 150 and 151)	Ceramic glass 4mm
1	26	10036732		Ventil plate F160/F260	Valve plate F 160/F260	Steel
1	27	12019637		Ledeplate Høyre	Deflector right	Cast Iron min 4mm thickness
1	28	10026582	See Pos. 152	Hvelv (Komplett brenpl. Kitt Pos.152 10044934)	Baffle (Complete burn pl. Kitt Pos.152 10044934)	Vermiculite
1	29	10026638		Askeskuff	Ash pan	Steel
1	30	10026648		Luftkanal komplett	Air channel Complete	Steel
1	31	10026637		Aksel dørlås komplett	Axle lock door complete	Steel
13	32	10023545		Skrue sekskant med flens M6x12 DIN 6921	Screw hex cap flange M6x12 DIN 6921	St8.8 / ANSI B18.2
2	33	10023663		Skrue sekskant med flens M8x25 DIN 6921	Screw hex cap flange M8x25 DIN 6921	St8.8 / ANSI B18.2
4	34	10023707		Skrue senkhode Innvendig Sekskant M6x10	Screw Countersunk Cap Internal Hex. M6x10	St8.8 / ANSI B18.2 DIN 7991
4	35	10024259		Glassklips front glass	Glassclip front glas	Stainless Steel
4	36	10023984		Glassklips side glass	Glassclip side glas	Stainless Steel
4	37	10023540		Skrue sekskant med flens M6x20	Hexagon screw	M6x20
1	38	10026583	See Pos. 152	Brennplate (Komplett brenpl. Kitt Pos.152 10044934)	Burn plate (Complete burn pl. Kitt Pos.152 10044934)	Vermiculite
1	39	10026584	See Pos. 152	Brennplate (Komplett brenpl. Kitt Pos.152 10044934)	Burn plate (Complete burn pl. Kitt Pos.152 10044934)	Vermiculite
1	40	12019645		Brennplate bakre	Burn plate rear	Cast Iron min 4mm thickness
7	41	10023536		Skrue sekskant med flens M6x25 Spesial	Screw hex cap flange frame M6x25 Special	M6x25
1	42	10026565		Fjær for ventiler	Spring for valves	Stainless spring steel
1	43	10023672		Skive M10 Ø10,1xØ19,4x0,9 Sortkr. Spesial	Washer M10 Ø10.1xØ19.4x0.9 Blackcr. Special	Steel
1	44		41,48,49,53,97	Selvlukkemekanisme komplett	Self closing mec.complete	
1	45	10026588		Holder for luftventil	Air valve support	Stainless spring steel
4	46	10024104		Nagle ø6x24, sortkrom	Rivet ø6x24, black chromate	
1	47	10036755		Hengsel Dør nede	Hinge Door Low	Steel
1	48	10025624		Fjær E0360-034-3500M	Spring E0360-034-3500M	Steel
1	49	10023710		Skrue senkhode Innvendig Sekskant M6x20	Screw Countersunk Cap Internal Hex. M6x20	St10.9
1	50	10036756		Hengsele dør oppe	Hinge Door Upper	
1	51	10036746		Sokkel komplett F 260	Base complete F 260	
4	52	10023588		Skrue sylinderh. innv. seksk. M6x12 DIN 912	Screw Cylinderh. int. hex, M6x12 DIN 912	
1	53	10026649		Brakett for fjær-selvlukkende dør	Bracket For Spring Self Closing Door	Steel
2	54	10036793		Kjøkken Hengsel sokkel dør	Kitchen Hinges Base Door	Steel

Jøtul F 260 Serien

Jøtul F 262 BP, cat. no. 30023270, Jøtul F 263 BP m/sideglass, cat. no. 30023271

BP= Sort lakk/Black Paint, GP= Grå lakk/Grey Paint UP= Ulakkert/Unpainted

Benevnelse

Description

Dim./Spec.

Antall	Pos. no.	Spareparts	Consist of pos.no:	Benevnelse	Description	Dim./Spec.
1	55	10023998		Hylse	Sleeve	Ø10xØ6,2x15mm, Steel
1	56	12039590		Dør Sokkel F260 BP	Door Base F 260 BP	Cast Iron min 4mm thickness
2	57	10023541		Skrue sekskant med flens M6x16 Spesial	Screw hex cap flange frame M6x16 Special	
1	58	10036811		Skjermplate komplett	Heat shield complete	Aluzink
1	59	10036750		Side Stål Høyre F 263	Side Steel Right F 263	Steel
1	60	10036760		Side Stål Høyre F 262	Side Steel Right F 262	Steel
1	61			Pakningfor glass, Ø8, LD250 m/lim	Gasket for glas Ø8,LD 250 with glue	LD 250-2 graph Ø6,4x1440mm
1	62			Pakn snor S008 Ø8mm, for dør	Gasket for door, S008 Ø8mm	S008-Ø8mm KI Ø8x1690mm
1	63			Pakn for topp LD 250 L1150 M/LIM	Gasket for top,LD 250-2 with glue Ø6,4x1150mm	LD 250-2 graph Ø6,4x1150mm
1	64			Pakn for bunn LD 250 L1200 M/LIM	Gasket for bottom,LD 250-2 with glue Ø6,4x1200mm	LD 250-2 graph Ø6,4x1200mm
2	65			Pakn for luftkanal LD 250 L300,	Gasket for air channel, LD 250 Ø6,4x300mm	LD 250-2 Ø6,4x300mm
1	66	10026663		Isolasjonsmatte 270X80X13mm	Insulation 270X80X13mm	Superwool
1	67	10026664		Isolasjonsmatte 205X60X13mm	Insulation 205X60X13mm	Superwool
2	68	10025215		Pakning V125 x 8	Gasket V 125 x 8	
2	69	10036752		Sideglass konveksjonsside F 263	Side glass Convection Side F 263	Ceramic glass 4mm
3	70	10023556		Skrue maskin senkeh poz M6x16 Elzn DIN 965	Screw machine flat poz M6x16 Elzn DIN 965	Steel
1	71			Pakn for bunndeksel LD 250 L1000 M/LIM	Gasket for bottom cover, LD 250-2 w/glue Ø6,4x1000	LD 250-2 graph Ø6,4x1000mm
1	72	10036813		Side Stål Venstre F 263	Side Steel Left F 263	Steel
1	73	10036812		Side Stål Venstre F 262	Side Steel Left F 262	
2	74			Pakn for bakplate LD 250 L580 M/LIM	Gasket for rear plate,LD 250-2 with glue Ø6,4x580mm	LD 250-2 graph Ø6,4x580mm
2	75	10026437		Låsepinne 8x8x24	Hinge pin 8x8x24	
2	76	10023660		Skrue sekskant med flens M8x12 DIN 6921	Screw hex cap flange M8x12 DIN 6921	St8.8 / ANSI B18.2
2	77			Pakning for sideglass LD250 m/lim	Gasket for side glass, LD 250 with glue	LD 250-2 graph Ø6,4x980mm
2	78	10026781		Apperture for Sideglass	Apperture for Sideglas	Aludip Dx51D AS
1	79	10025214		Pakning LD250 m/lim,	Gasket LD 250 with glue	LD 250-2 graph Ø6,4xLmm
2	80	10025214		Pakning LD250 m/lim,	Gasket LD 250 with glue	LD 250-2 graph Ø6,4xLmm
1	81	10023656		Skrue senkhode Innvendig Sekskant M8x30	Screw Socket Flat Head cap M8x30	Steel 10,9
24	82	10023662		Skrue sekskant med flens M8x20 DIN 6922	Screw hex cap flange M8x20 DIN 6922	St8.8 / ANSI B18.3
2	83	10026400		Avstandshylse	Distance Sleeve	Steel
10	84	10023666		Mutter sekskant med flens M6	Nut Hex cap flange M6	
3	85	10023780		Skive M6,4 x Ø18 x 1,6 Elzn Din 9021	Washer M6,4 x Ø18 x 1,6 Elzn Din 9021	
2	89	10036794		Kjøkkenhengsel feste Sokkel Dør	Mountingplate hinge Base door	03.01.0310.0010
1	92	10023595		Skrue senkhode Innvendig Sekskant M8x16	Screw Socket Flat Head cap M8x16	Steel 10,9
2	93	10023713		Avstandsstykke M6x40		
4	94	10023667		Mutter sekskant med flens M8	Nut Hex cap flange M8	
4	95	10023712		Skrue sett.innv.seksk. M8x30	Screw set.int.hex. M8x30	
4	96	10023519		Mutter sekskant M8	Nut Hexagonal M8	Steel 8.8
1	97	10024413		Hylse Ø10/6,2x10	Sleeve Ø10/6,2x10	Steel
1	98	10024197		Hylse Ø12/8,2x10	Sleeve Ø12/8,2x10	Steel
1	100	50036877	102, 10036800	Kleberside bak kompl F 260-serien	Soapstone Side Rear Set F 260	Soapstone
1	102	10036784		Kleber sett side + kleber topp F260	Soapstone set sides + Top F260	Soapstone
2	103	10036763		Festebakke kleber F 260	Support bracket Soapstone F 260	Aluzink
8	104	10036757		Kleber side F 260	Soapstone side F 260	Soapstone
1	105	10036759		Stålplate Bakre kleber F 260 BP	Steelplate Rear Soapstone F 260 BP	Steel
16	106	10038405		Skrue planhode Ø17 m8x16	Screw plane head ø17 M8x16	Steel 8,8
2	107	10023522		Skrue Sekskant M8x60 Elzn Din 558	Screw Hexagon M8x60 Elzn DIN558	Steel 8,8
2	108	10023475		Mutter sekskant M6 DIN 934	Nut Hexagon M6 DIN 934	
2	94	10023667		Mutter sekskant med flens M8	Nut Hex cap flange M8	
1		10036800	103,105,106,107,108,94	Tynnplate kit kleber F 260	Steel Set Soapstone F 260	
	110	50036901	111,112	Kleber Topp (Til StålssiderBakre)	Soapstone Top F 260 Additional (Steelsides rear)	
1	111	10036758		Kleber Topp F 260	Soapstone Top F 260	Soapstone
1	112	10036762		Stål-Topp til Kleber Topp F 260 BP	Steel outlet Set F 260 BP	Steel
1	115	30023272	116,117,118,84	Stålsider bakre Kompl F 260 BP	Steelbackside Set F 260 BP	
1	116	10036754		Stålside Høyre Bakre F 260 BP	Steelside Right Rear F 260 BP	Steel
1	117	10036745		Stålside Venstre Bakre F 260 BP	Steelside Left Rear F 260 BP	Steel
5	118	10026383		Jet Press Clips EPF 271	Jet Press Clips EPF 271	
4	84	10023666		Mutter sekskant med flens M6	Nut Hex cap flange M6	
1	120	50036914		Vifte F 260	Ventilator Jøtul F 260	
1	150	10038468		Sideglass med trykk, venstre	Side Glass Printed, Left	Ceramic glass 4mm
1	151	10038467		Sideglass med trykk, høyre	Side Glass Printed, Right	Ceramic glass 4mm

Jøtul F 260 Serien						
Jøtul F 262 BP, cat. no. 30023270, Jøtul F 263 BP m/sideglass, cat. no. 30023271						
BP= Sort lakk/Black Paint, GP= Grå lakk/Grey Paint UP= Ulakkert/Unpainted						
<i>Antall</i>	<i>Pos. no.</i>	<i>Spareparts</i>	<i>Consist of pos.no:</i>	<i>Benevnelse</i>	<i>Description</i>	<i>Dim./Spec.</i>
1	152	10044934		BRENNPLATE SETT F 160-F 260	Burn plate Kit F 160 - F260	Vermiculite
1	153	12050010		Fyrbunn F160 MK2	Inner Bottom F160 MK2	Cast Iron min 4mm thickness
1	154	12050011		Fyrbunnrist F160 MK2	Inner Bottom Grate F160 MK2	Cast Iron min 4mm thickness

Draw.no. 900086-P09