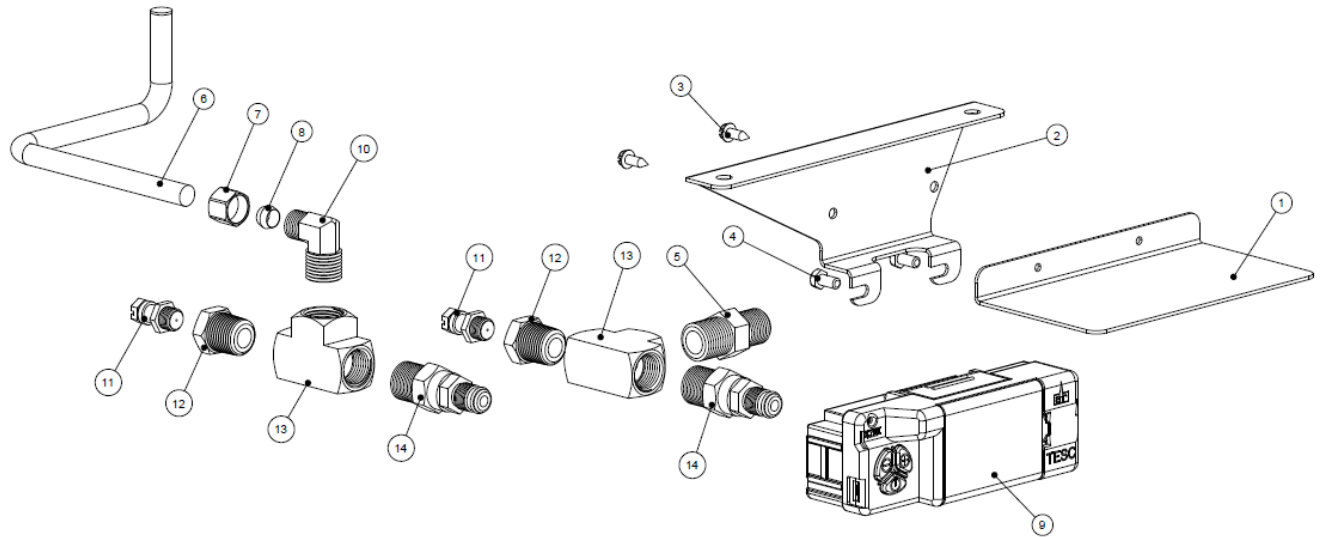
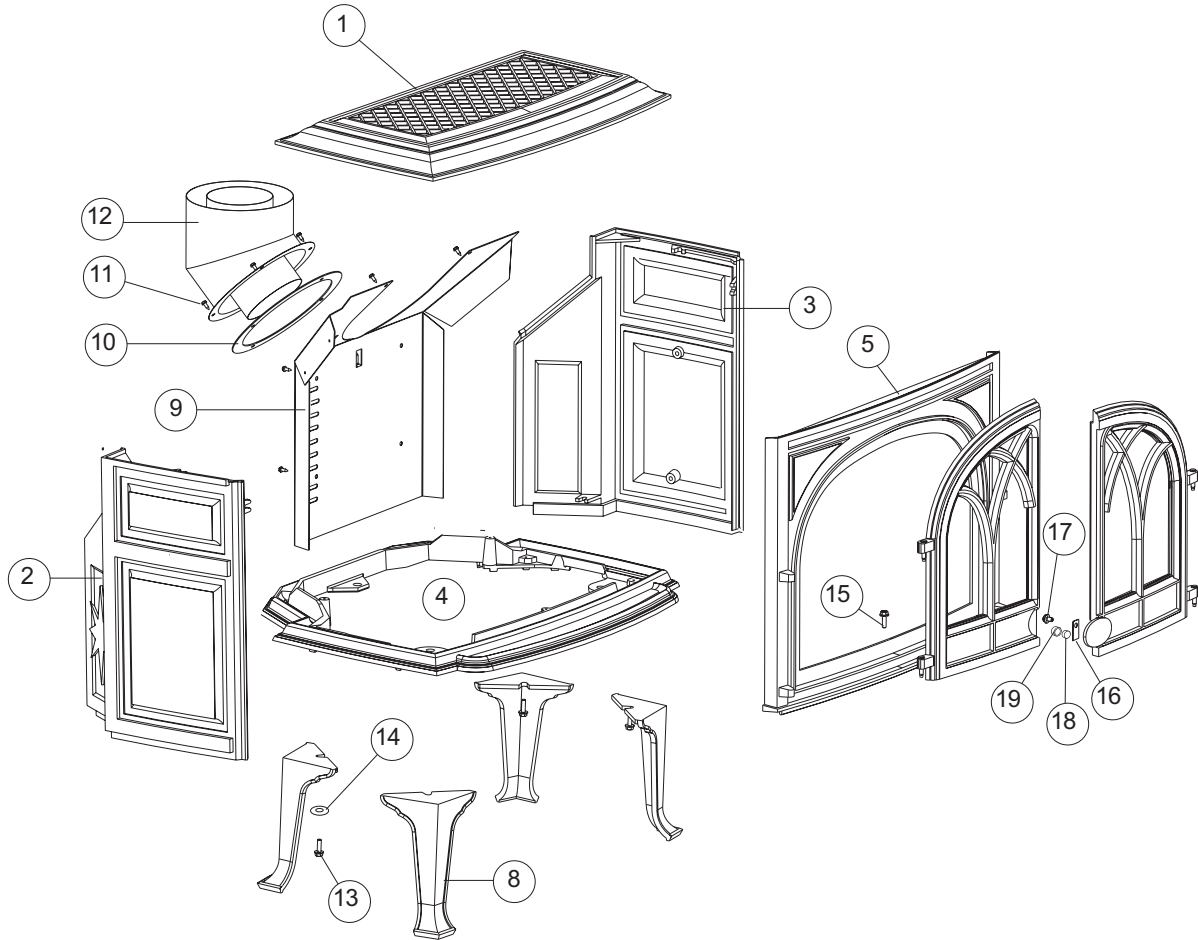


# Exploded View and Sparepart List GF 400 BF CE



## Valve assembly and fittings

No°	No° de pièce	Description
1.	226041	Valve Heat Shield
2.	225944	Valve Bracket
3.	17917	Screw, HWH SMA #8 x 1/2 SL Blk Oxide
4.	117970	Bolt, Hex Cap M5 x 10 DIN 933 8.8 Plain
5.	226036	Adaptor, 3/8" NPT to 1/2" BSPP (G1/2)
	220168	Adaptor, Brass, 3/8" NPT to 5/16" Compression
6.	221769	Flex Tube, Main Gas - 5/16" OD x 10"
7.	129464	Compression Nut - 5/16"
8.	129463	Compression Sleeve - 5/16"
9.	158018	Valve Assembly, G20 (Natural Gas)
10.	129129	Elbow, 90° Brass 3/8 NTP - 5/16" dia. comp.
11.	225973	Test Point Nipple, 1/8" NTP B.E.S. 6901
12.	226077	Adaptor, 3/8" Male NPT x Female 1/8" BSPT
13.	225980	Tee, Brass, Female 3/8 NTP
14.	226076	Swivel Fitting, 3/8" Male NPT x M12
15.	220946	Orifice, #33, G20 (not illustrated)



*Exterior components.*

Cast Iron Parts	Matte Black Paint
1. Top Plate	10396292
2. Left Side Plate	10391892
3. Right Side Plate	10391992
4. Bottom Plate	10396392
5. Front, Complete	15565492
8. Legs, (4)	10192592

9. Rear Shroud	22498992
10. Gasket, Collar	129118
11. Screw, #8 x 13mm, 4	117917
12. Vent Collar, 100mm/150mm	129126
13. Bolt, M6 x 20, 4	117117
14. Fender Washer, 4	120004
15. Bolt, M6 x 20	117117
16. Magnet Plate	22498492
17. Bolt, M6 x10	9962
18. Magnet	225355
19. Magnet Cover, Neoprene	225338