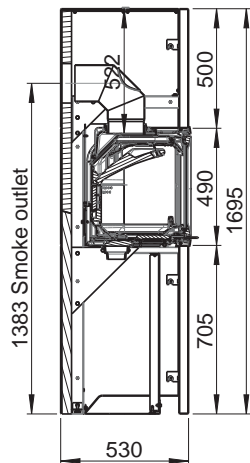
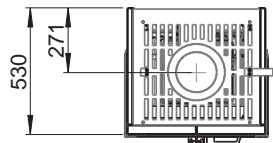
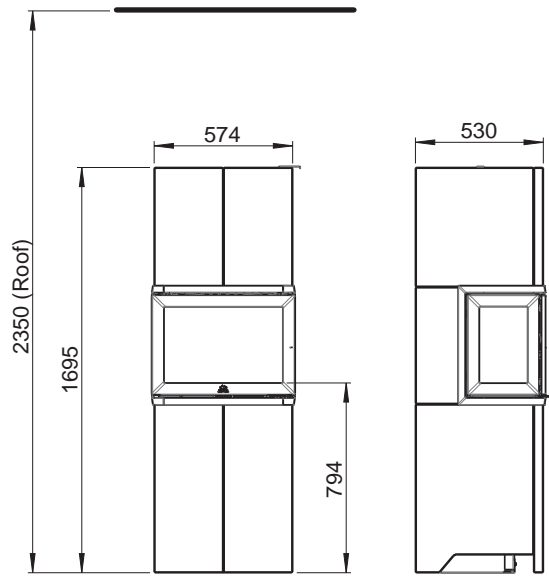
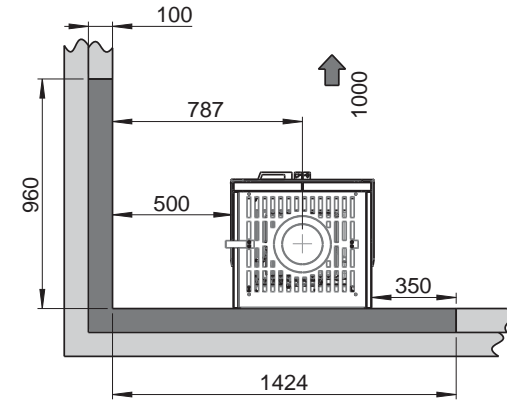
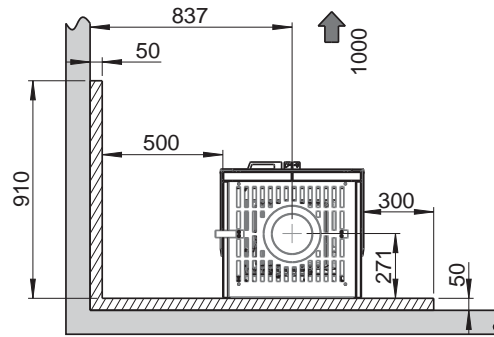


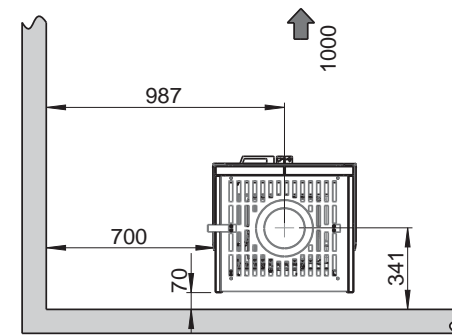
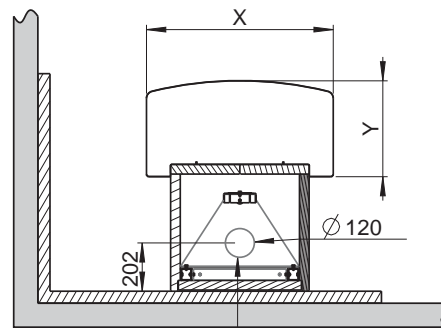
Fig. 1






Min. installation measurements



Floor plate measurement  
X/Y - Acc. to national standards and regulations



Optional hole in floor for  
Ø 100 mm outside air connection

-  Non combustible wall
-  Jøtul JGFW-5 Firewall
-  Combustible wall