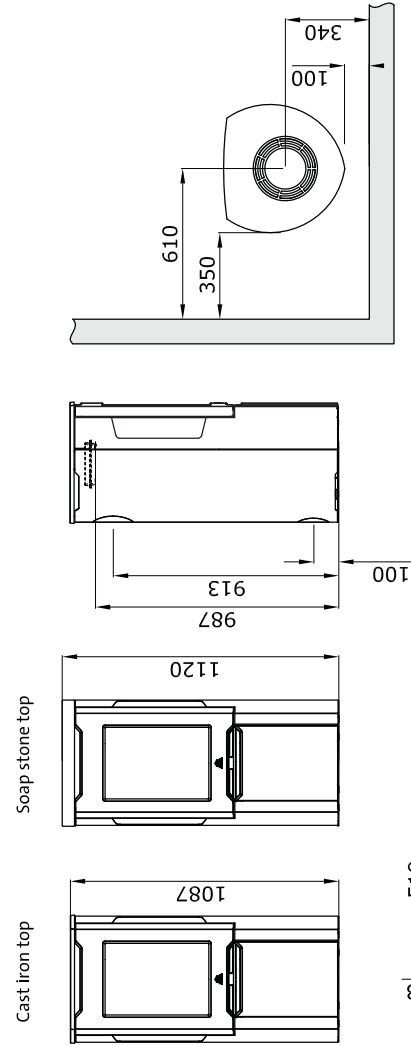


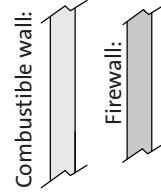
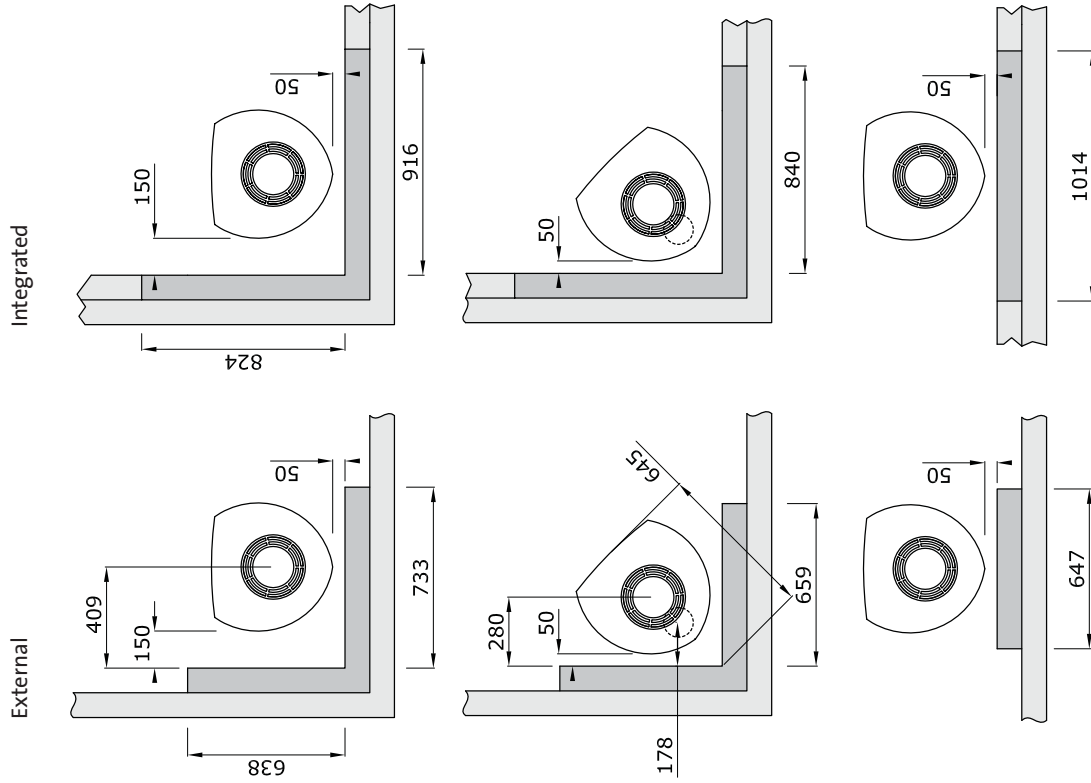
Jøtul F 263

Fig. 1

Min. distance to combustible wall:



Min. distance to combustible wall protected by firewall:



Min. measurements floor plate X, Y =  
According to national standards  
and regulations. See chapter 4.1

