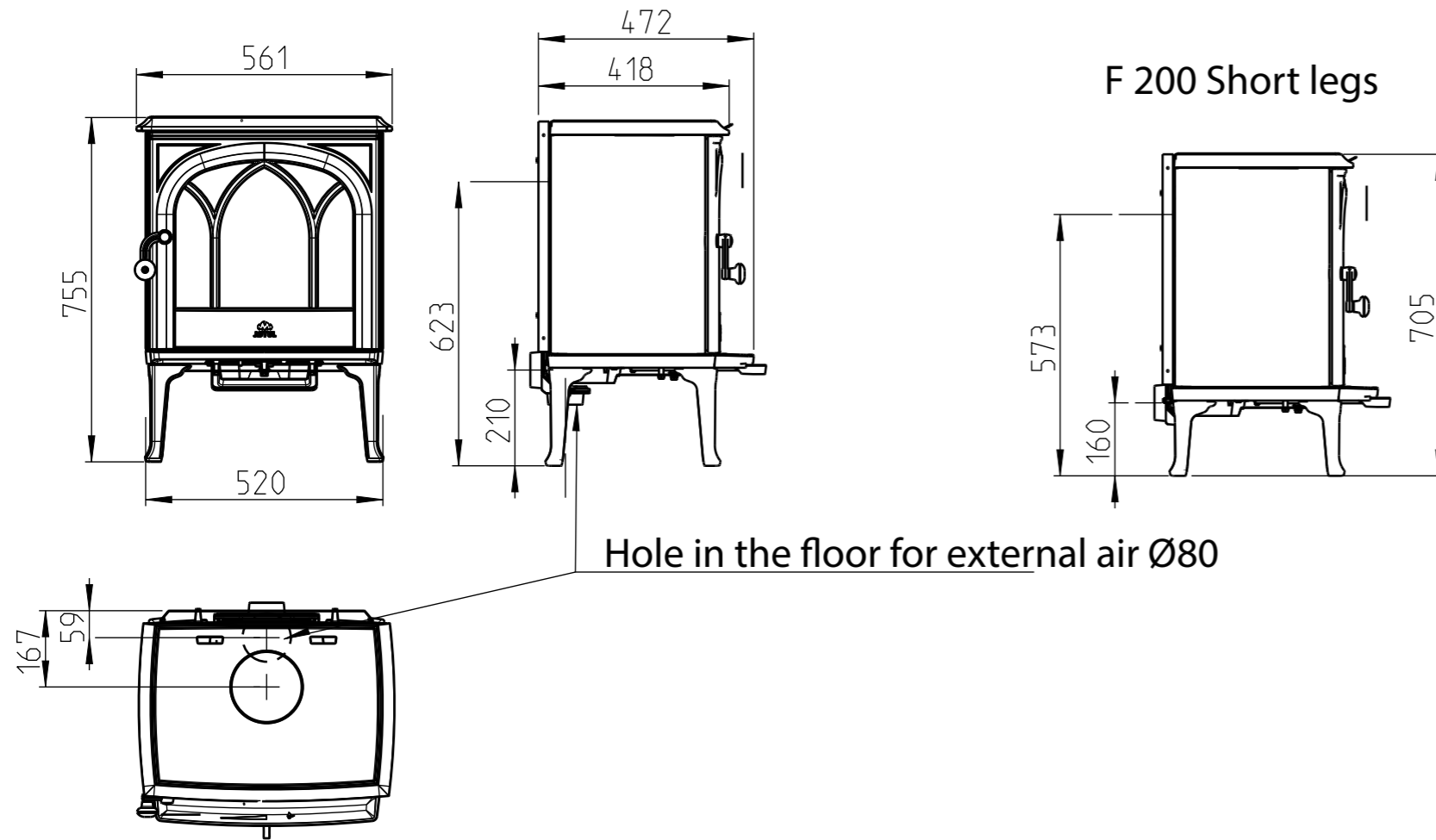
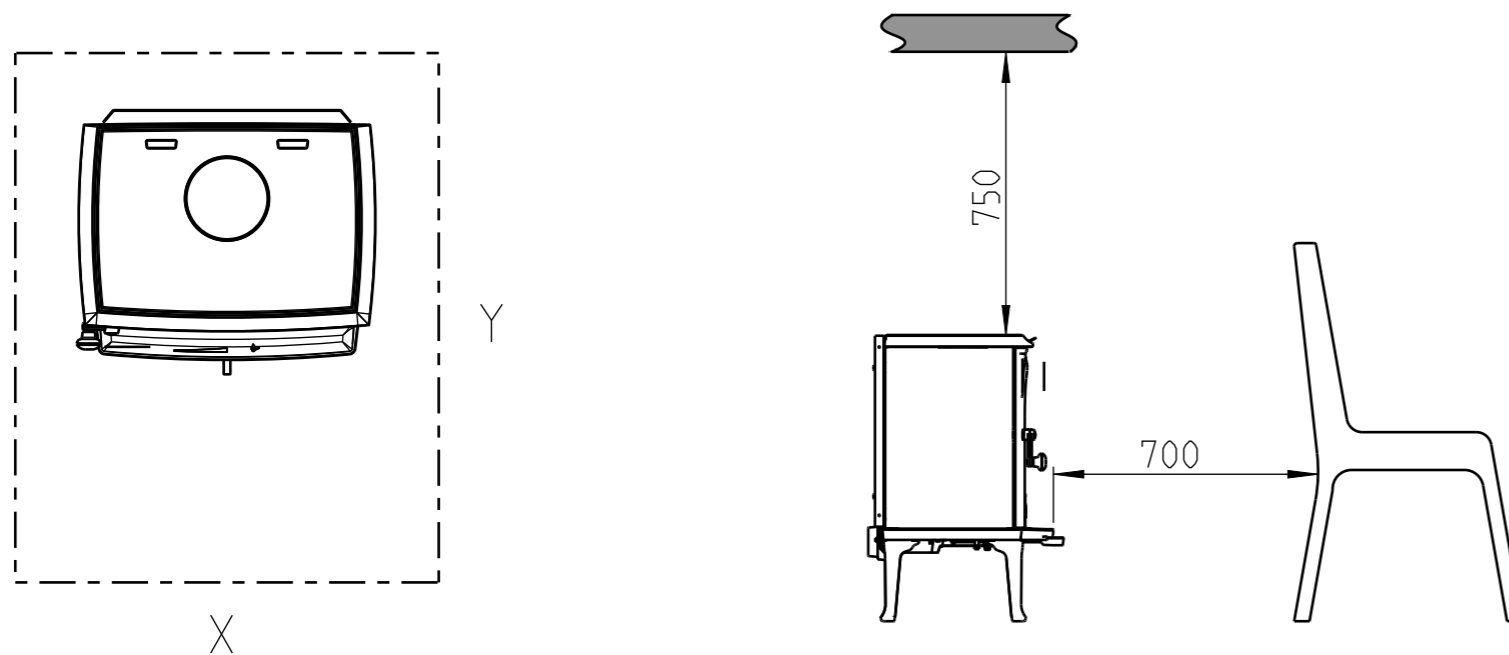


Jøtul F 200



Hole in the floor for external air Ø80

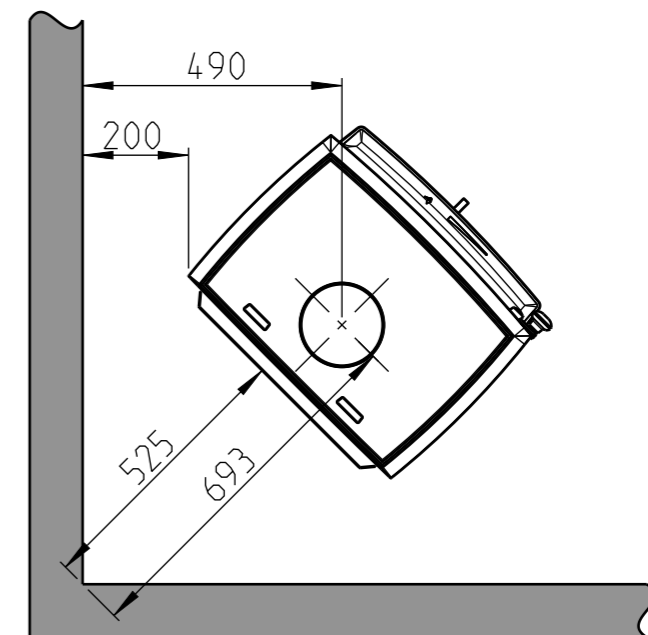
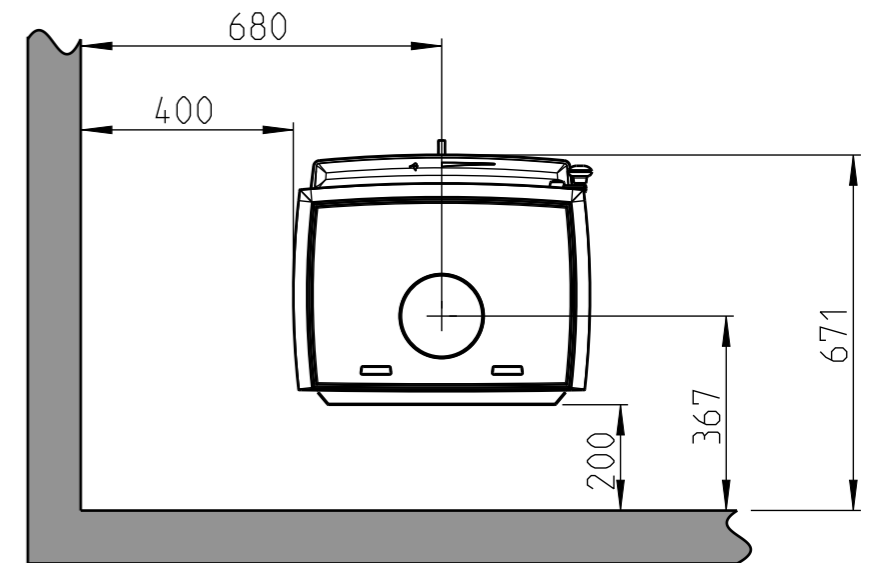
Min. distance to ceiling and furniture



Min. measurements floor plate
X/Y = According to national laws and regulations

Min. distance to combustible wall

Semi isolated flue pipe/Cover flue pipe all the way down towards the product



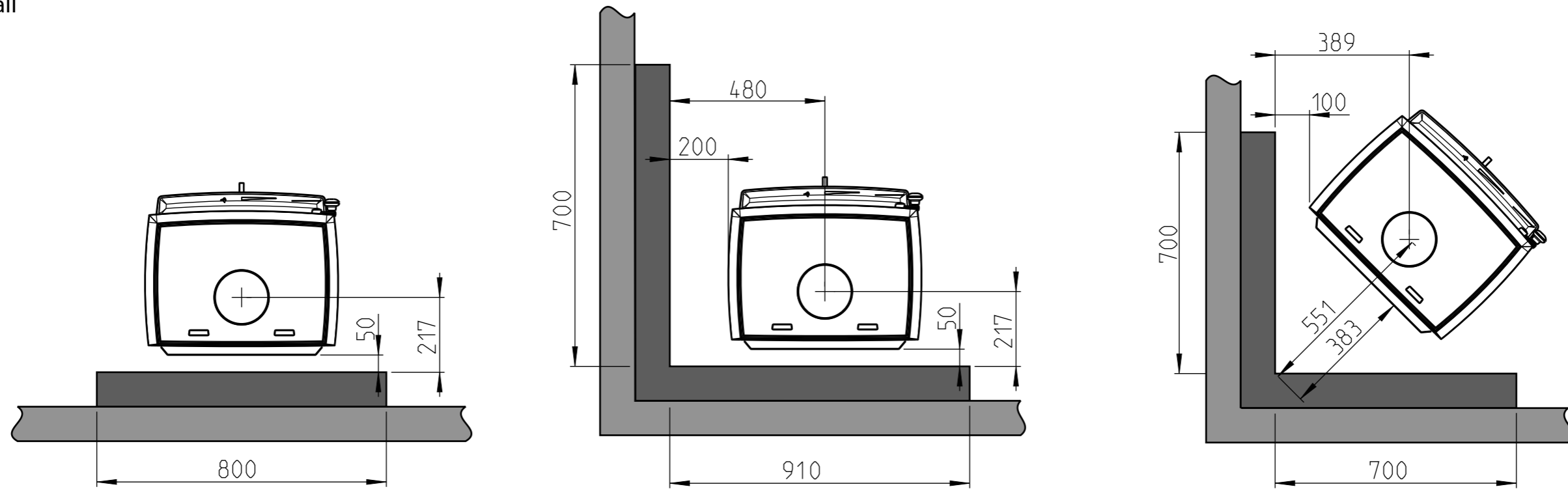
Combustible wall
Firewall (See chapter 3 in the manual)

Jøtul F 200

Min. distance to combustible wall protected by approved firewall

Semi isolated flue pipe/Cover flue pipe all the way down towards the product

External firewall



Integrated firewall

