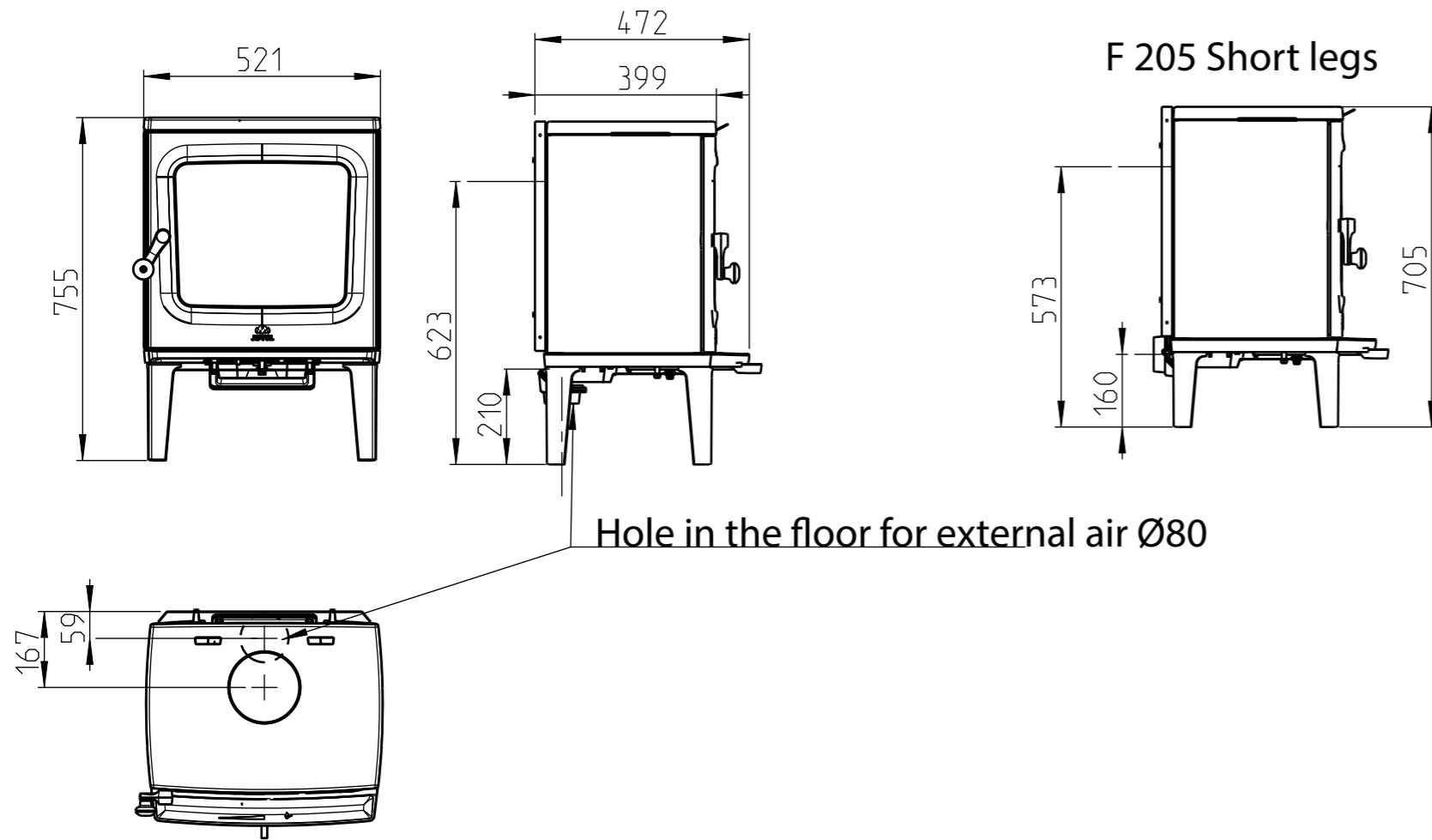
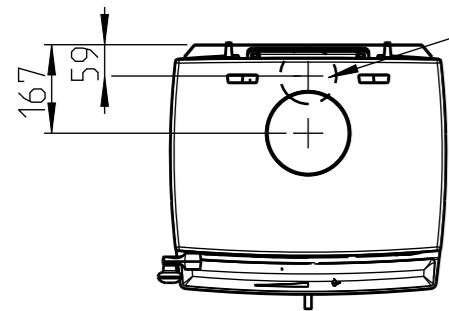


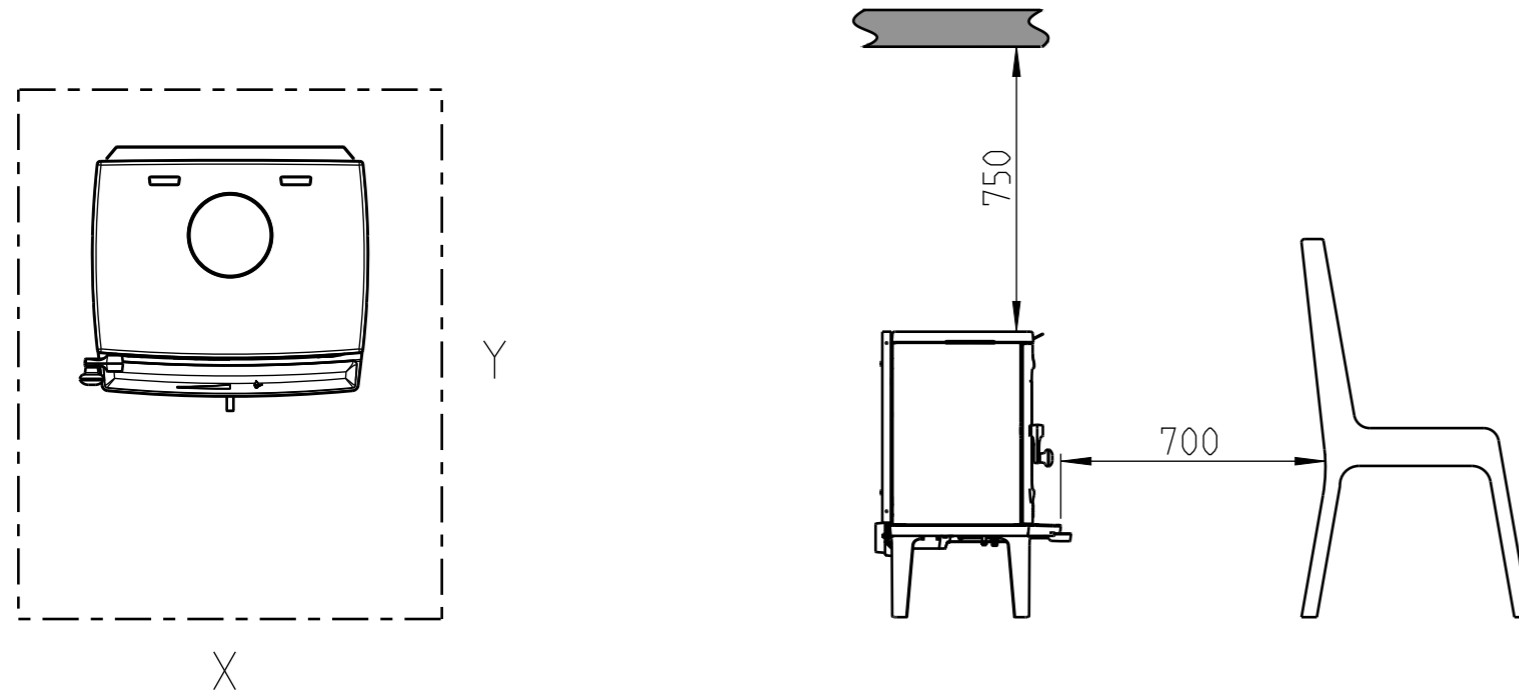
Jøtul F 205



Hole in the floor for external air Ø80



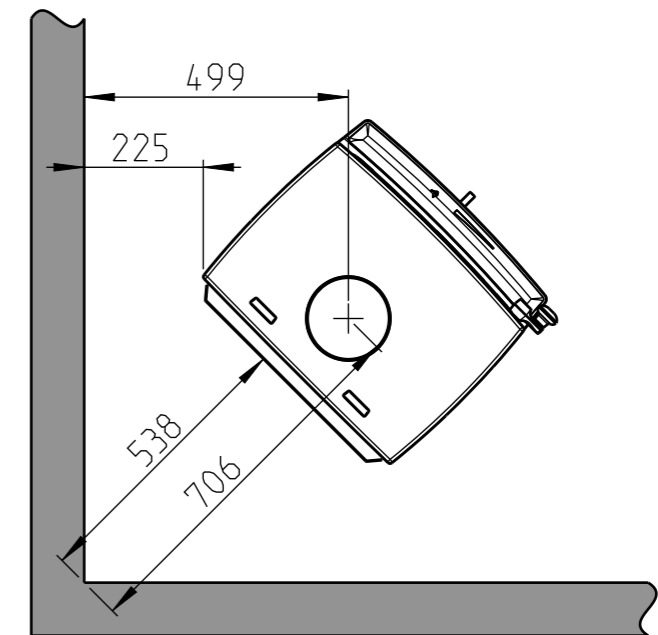
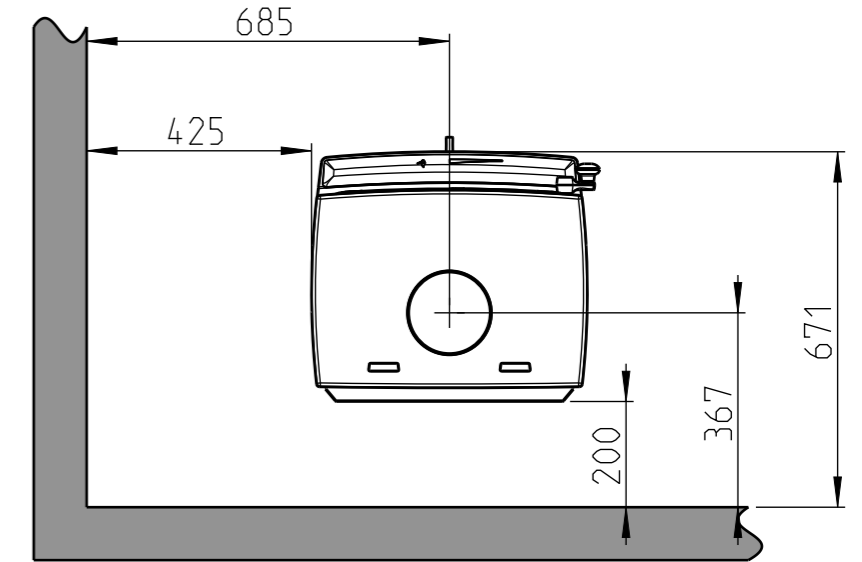
Min. distance to ceiling and furniture




Min. measurements floor plate
X/Y = According to national laws and regulations

Min. distance to combustible wall

Semi isolated flue pipe/Cover flue pipe all the way down towards the product



 Combustible wall

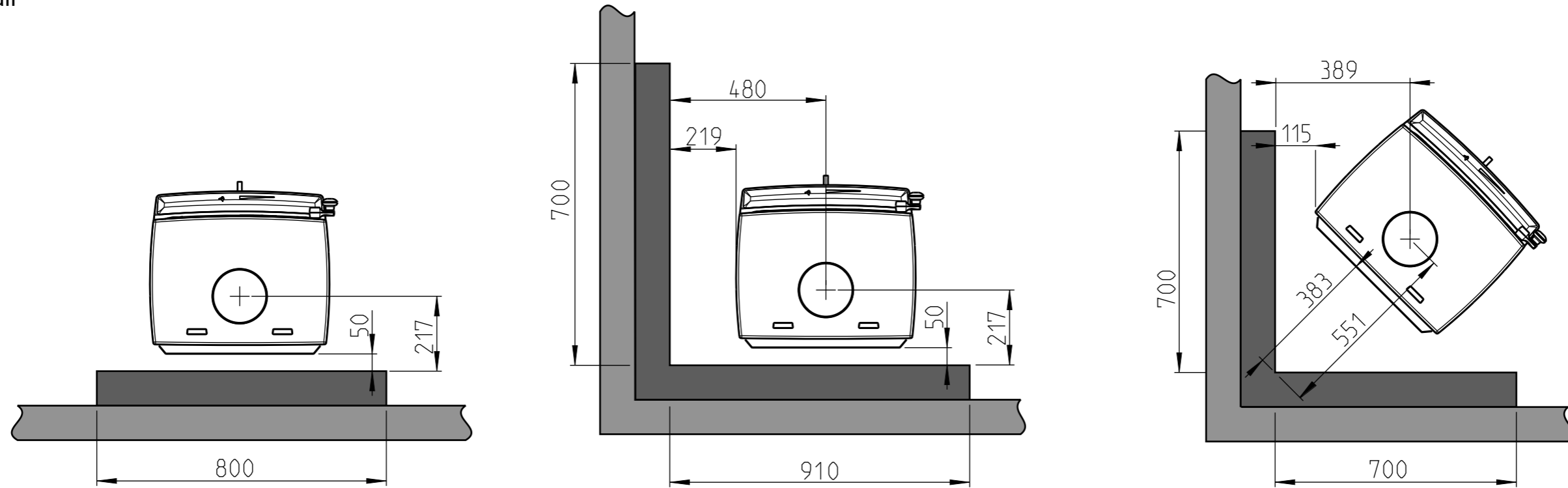
 Firewall (See chapter 3 in the manual)

Jøtul F 205

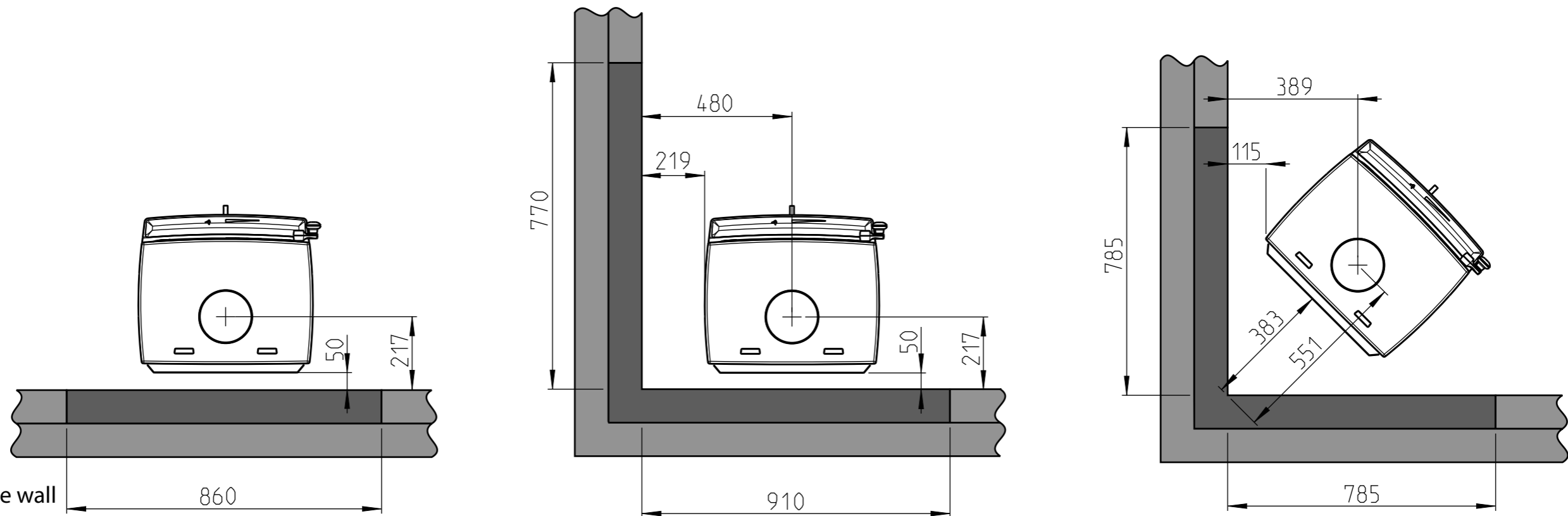
Min. distance to combustable wall protected by approved firewall



Semi isolated flue pipe/Cover flue pipe all the way down towards the product

External firewall



Integrated firewall



 Combustible wall
 Firewall (See chapter 3 in the manual)