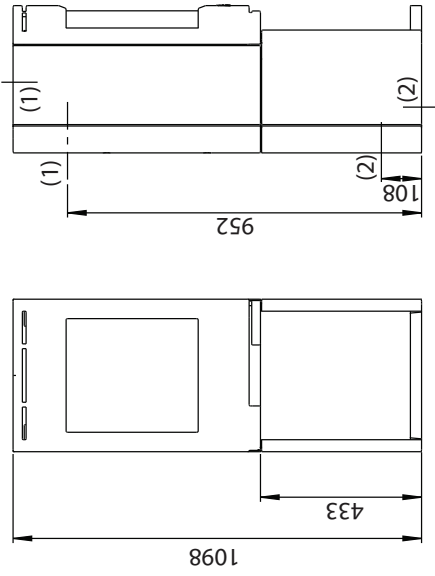


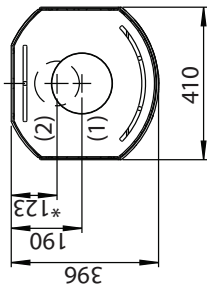
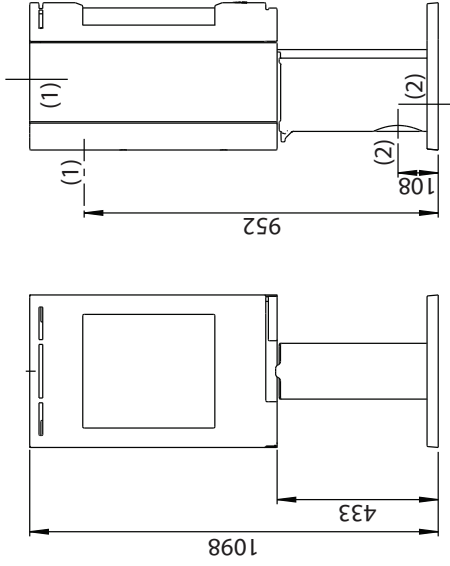
Jøtul F 130 Series

Fig. 1a

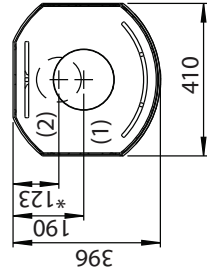
Jøtul F 134 (with base / without sideglases)



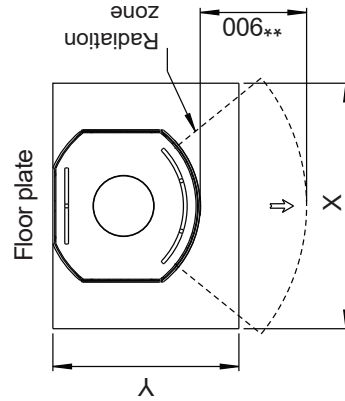
Jøtul F 136 (with pedestal without sideglases)



(1) - Flue pipe center
(2) - Outside air connection center



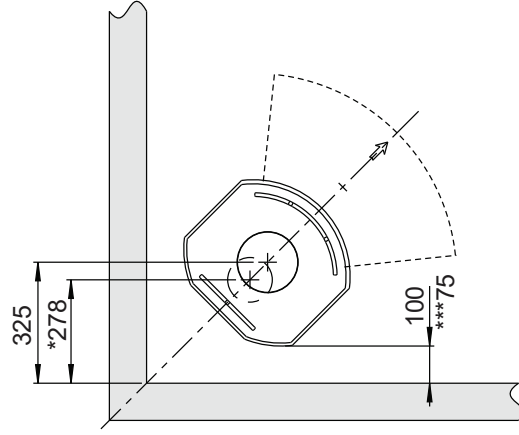
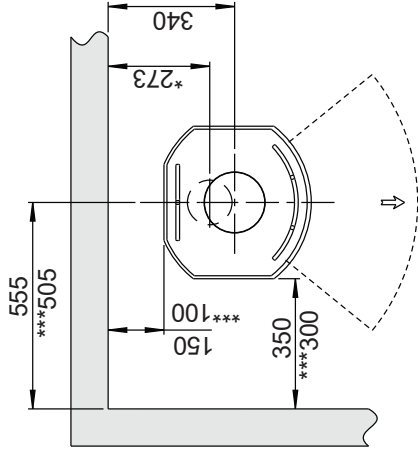
Min. measurements floorplate
X / Y= According to national laws and regulations



- * Outside air connection
- ** Min. distance to furniture / combustible material
- *** Distance to combustible wall with semi-insulated / shielded flue pipe

Combustible wall

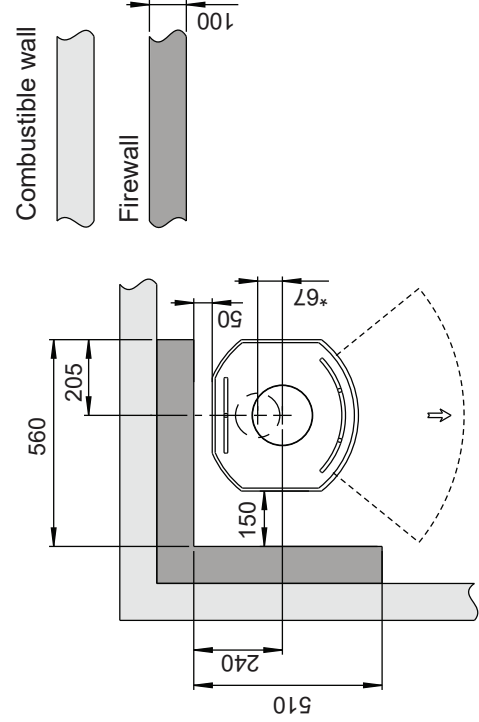
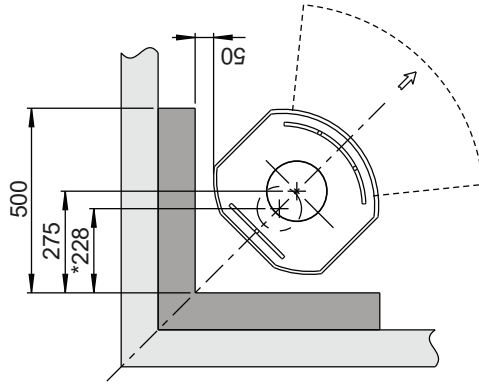
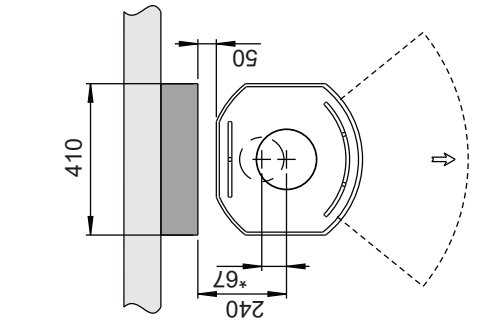
Min. distance to combustible wall



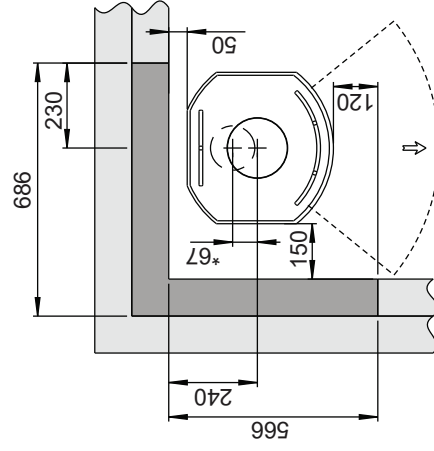
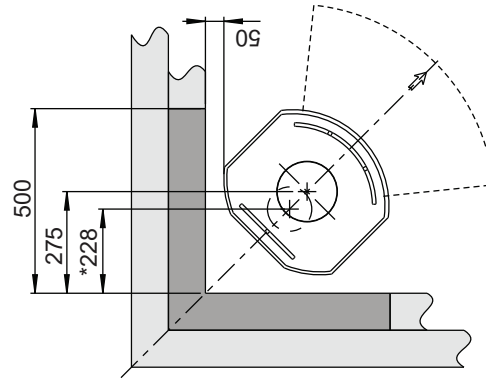
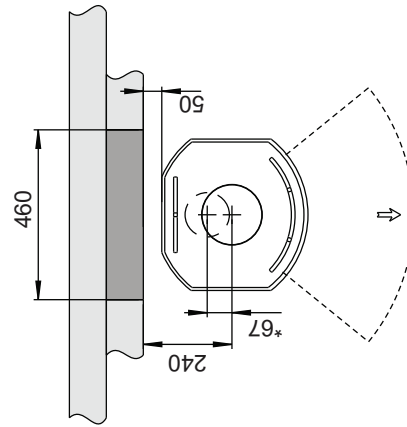
Jøtul F 130 Series

Jøtul F 134 / F 136 - min. distance to firewall

External



Integrated



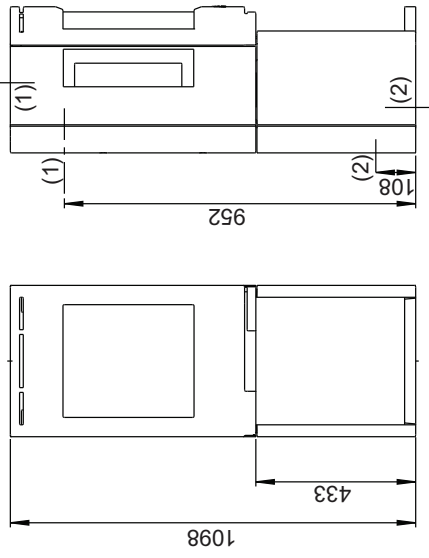
* External air supply

900189-P01

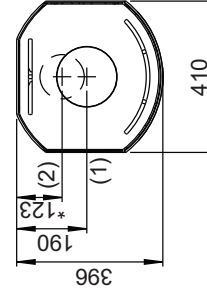
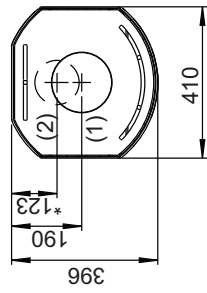
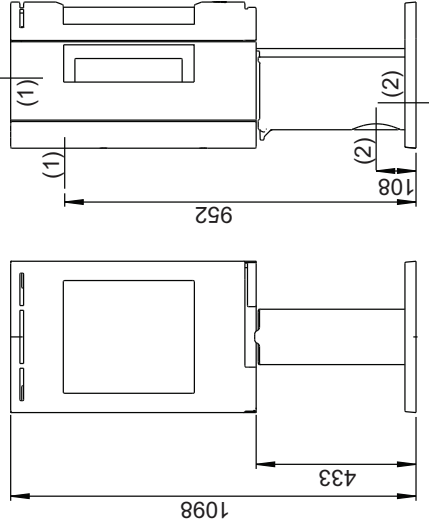
Jøtul F 130 Series

Fig. 1c

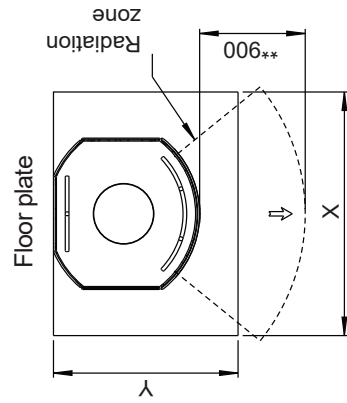
Jøtul F 135 (with base and sideglases)



Jøtul F 137 (with pedestal and sideglases)



(1) - Flue pipe center
(2) - Outside air connection center



Min. measurements floor plate
X / Y= According to national laws and regulations

- * Outside air connection
- ** Min. distance to furniture / combustible material
- *** Distance to combustible wall with semi-insulated / shielded flue pipe

Combustible wall

Min. distance to combustible wall

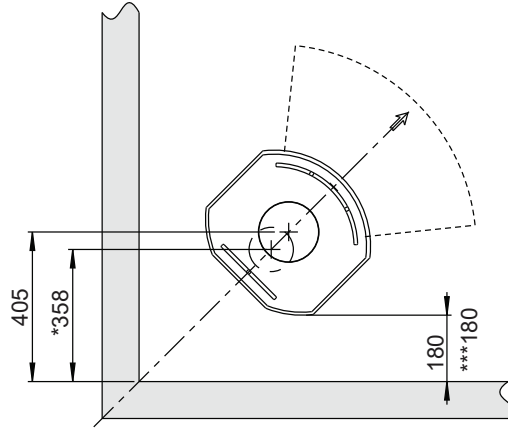
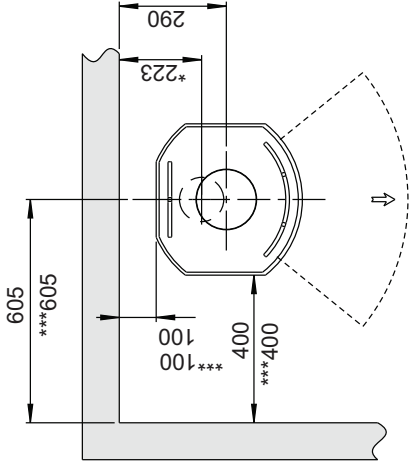
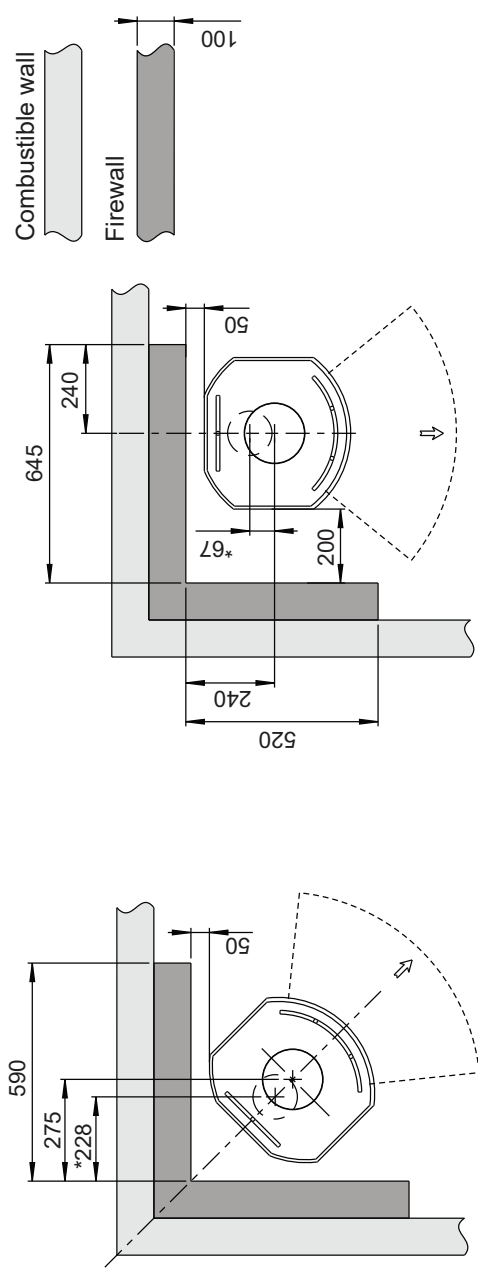


Fig. 1d

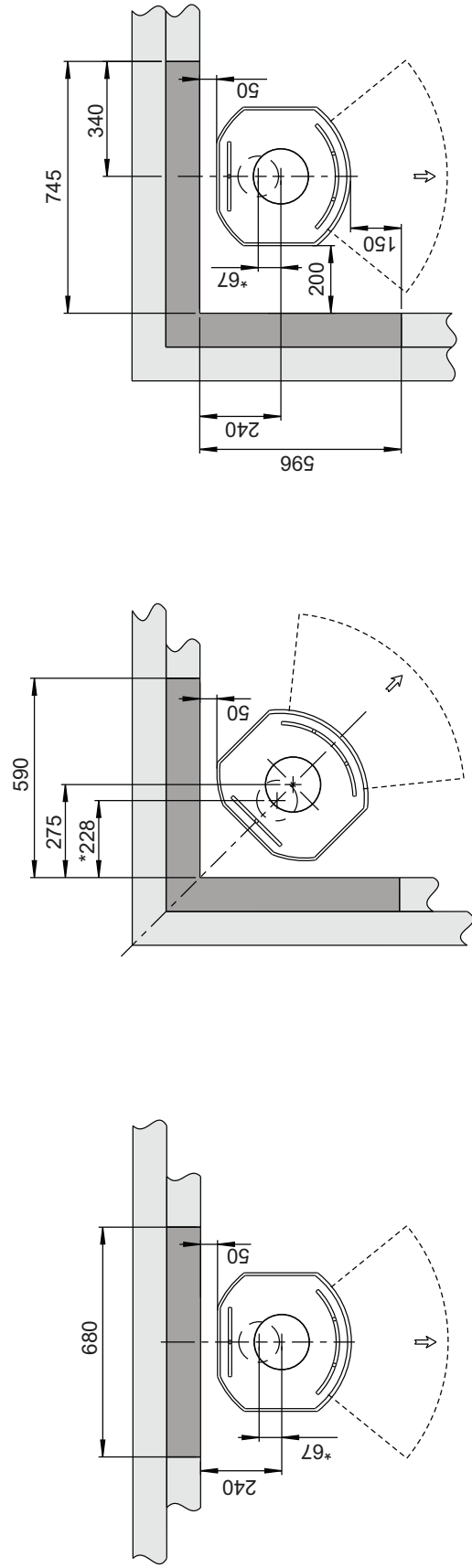
Jøtul F 130 Series

Jøtul F 135 / F 137 - min. distance to firewall

External



Integrated



* External air supply

900196-P01